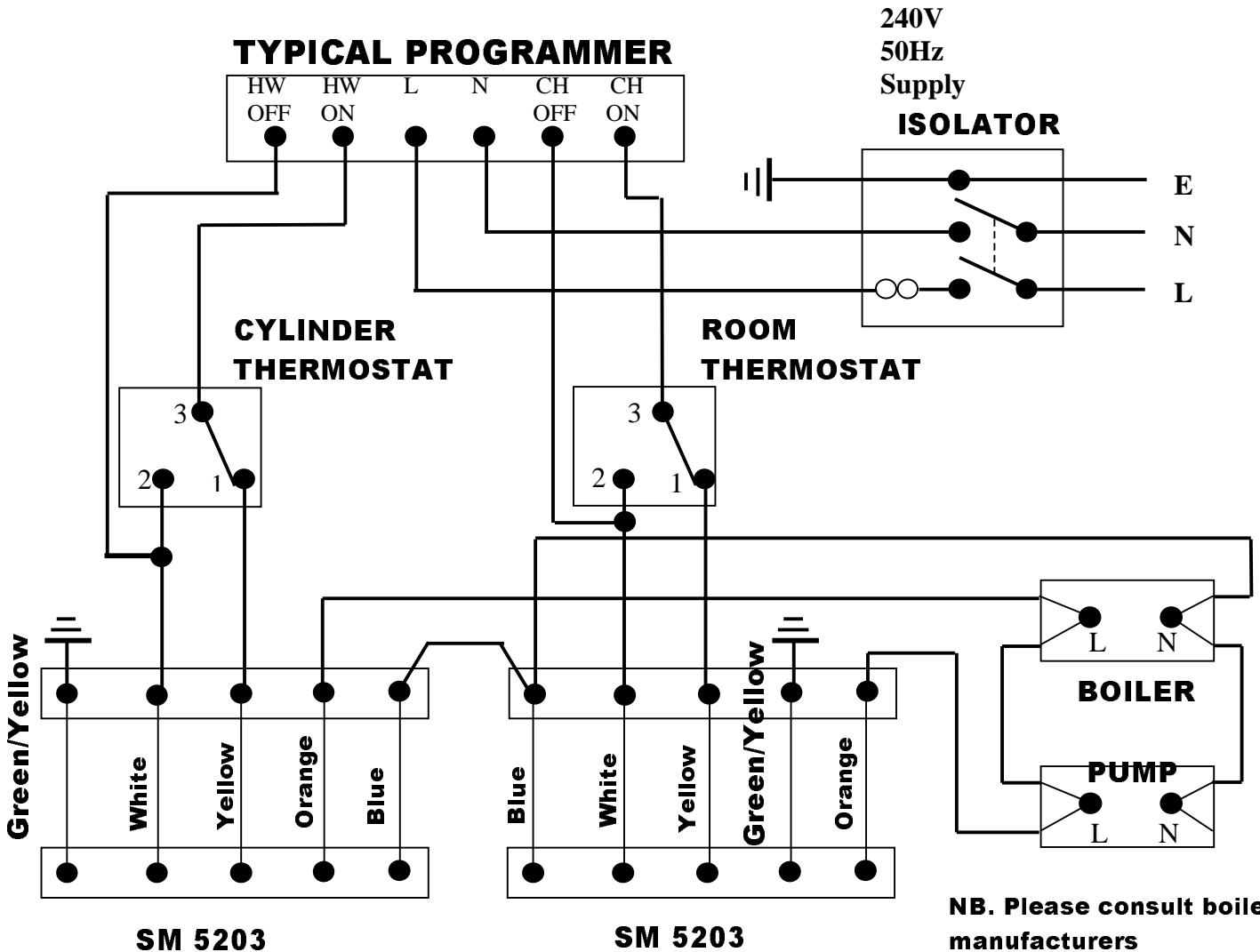


# TWIN MINIVAL WITH TYPICAL PROGRAMMER



**NB. Please consult boiler manufacturers instructions before completing wiring of the pump and boiler.**

**N.B. All installations and maintenance must be carried out by a competent person, and in accordance with current building and wiring regulations.**

**Please consult user and installation instructions for all products used.**

TECHNICAL HELPLINE 01698 810945

Monday to Thursday 09:00 – 12:00

13:00 - 16:00

Friday

09:00 - 12:00

**SUNVIC CONTROLS Ltd.**

Bellshill Road, Uddingston, Glasgow, G71 6NP, Scotland, U.K.

Telephone +44(0)1698 812944 Fax +44(0)1698 813637

# SUNVIC